

Speed Queen

A **Raytheon** Company

Parts Manual for Commercial Superload II Washer- Extractors

(Metered and Nonmetered Models)

See Page 1 for Model Numbers

Speed Queen
Shepard Street
P.O. Box 990
Ripon, Wisconsin 54971-0990

Part No. 82077
11/94

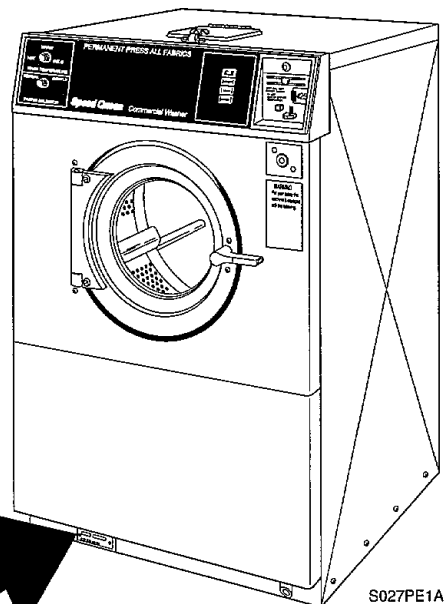
Model Identification

Information in this manual is applicable to the following Model Superload II Washer-Extractors.

MODELS		DRAIN	
Metered	Nonmetered	Pump	Nonpump
SL9151 or SL9161	SL9171		X
SL9153 or SL9163	SL9173	X	

Nameplate Location

When writing for information on the Superload II Washer-Extractor, be sure to mention model and serial numbers. The model and serial numbers will be found on the nameplate as shown.



IMPORTANT: When checking clutch operation, a momentary slipping noise may be heard when the motor drive goes into the spin mode. This is normal operation caused by the drive clutch pads engaging against the clutch drum.

To avoid serious damage to motor drive or timers, DO NOT advance either timer with power on, or with the wash cylinder moving.

It is very important to keep timers synchronized. Timers automatically synchronize themselves (if needed) during each spin cycle.

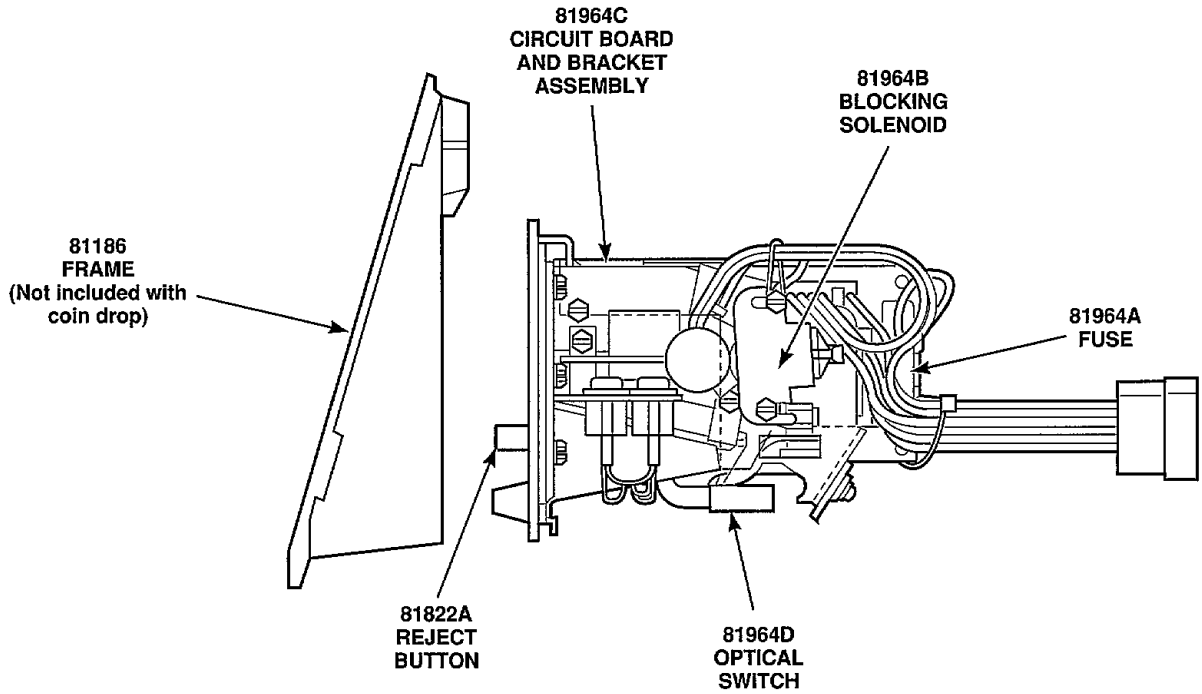
If timers are advanced or changed in any way to service, the service man (with power off and clothes cylinder stopped) should put the washer into the final spin cycle and allow the washer to complete the cycle by itself. This will get the timers synchronized and the washer set for proper operation.

If the washer timers advance from tumble into spin in the wrong rotation, the clothes cylinder will also spin in the wrong rotation, but the timers will automatically synchronize during that spin cycle. Correct rotation viewing clothes cylinder from the front of washer is clockwise; BOTH FOR LAST TUMBLE MODE BEFORE SPIN AND SPIN.

© Copyright 1994 Speed Queen Company.
All Rights Reserved.

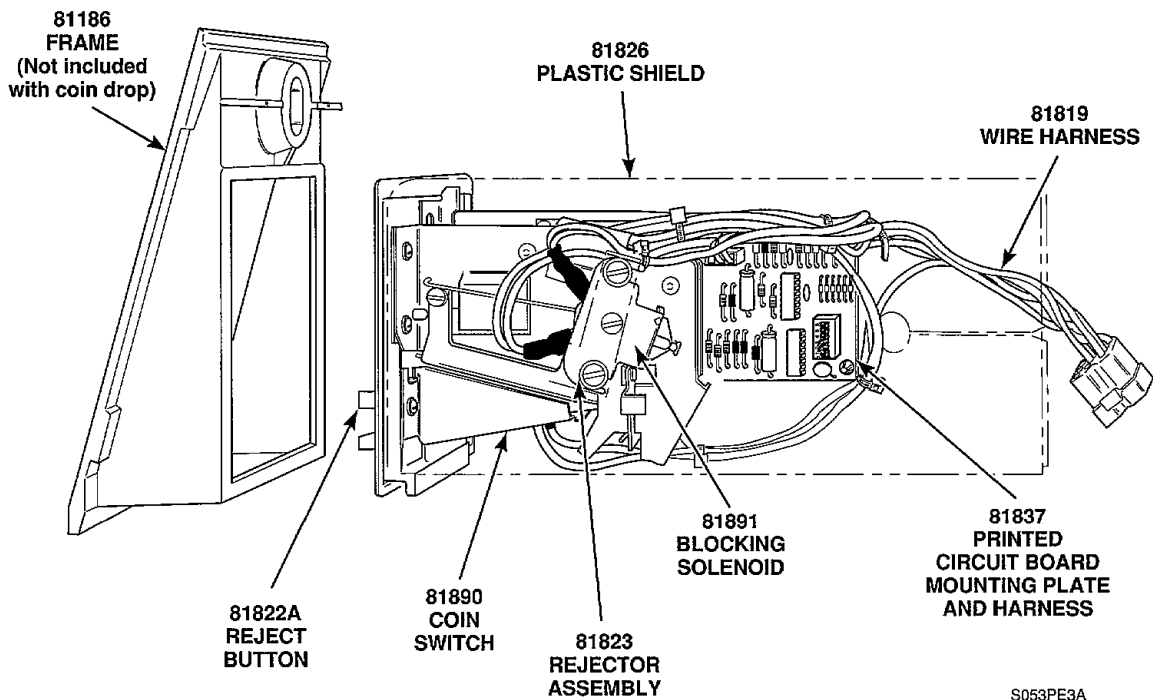
Table of Contents

Coin Drop	3
Control Panel, Controls and Operating Instruction Sign	4
Cabinet Top and Dispenser Door	5
Front Panel, Door Assembly and Door Seal	6
Door Lock Assembly	7
Panels	8
Coin Vault and Drawer	9
Timers and Terminal Block	10
Cross Channel, Capacitor, Relay and Pressure Switch	11
Mixing Valve Assembly	12
Water Inlet and Hoses	13
Drive Motor and Shield	14
81658 Drive Motor	15
Dispenser Boot, Outer Tub, Cylinder and Button Trap	16
Rear Tub Head, Clamp Ring, Cylinder Pulley and Belt	17
Base and Front Legs	18
Bearing Housing Assembly	19
Drain (Non-Pump Models)	20
Drain (Pump Models)	21
Drain Valve Assembly (Non-Pump Models)	22
Wire Harnesses	23
294P3 Installation Kit Material	24
Terminals	25



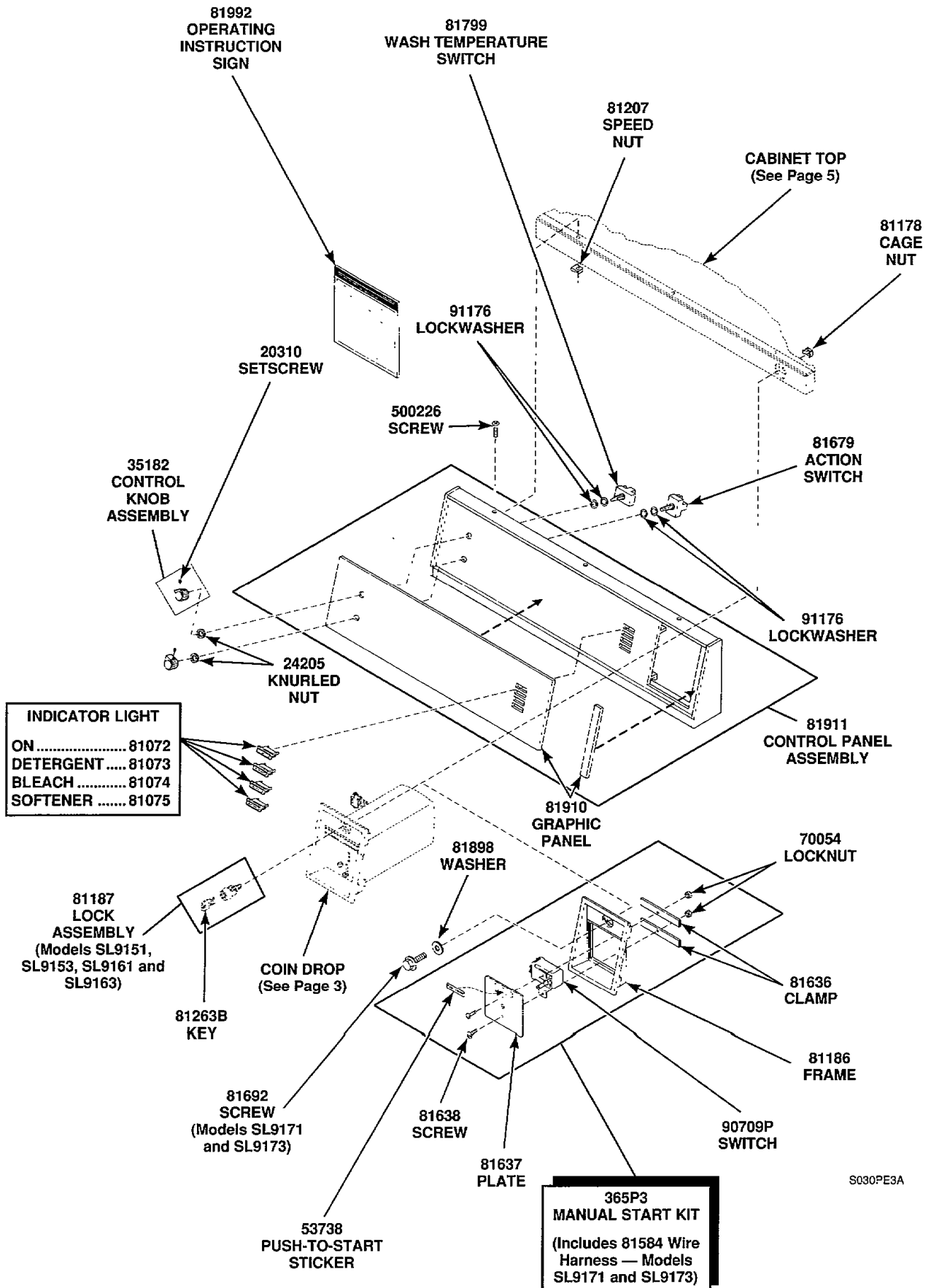
S028PE3B

**81964 DIGITAL COIN DROP
(Models SL9151 and SL9153)**



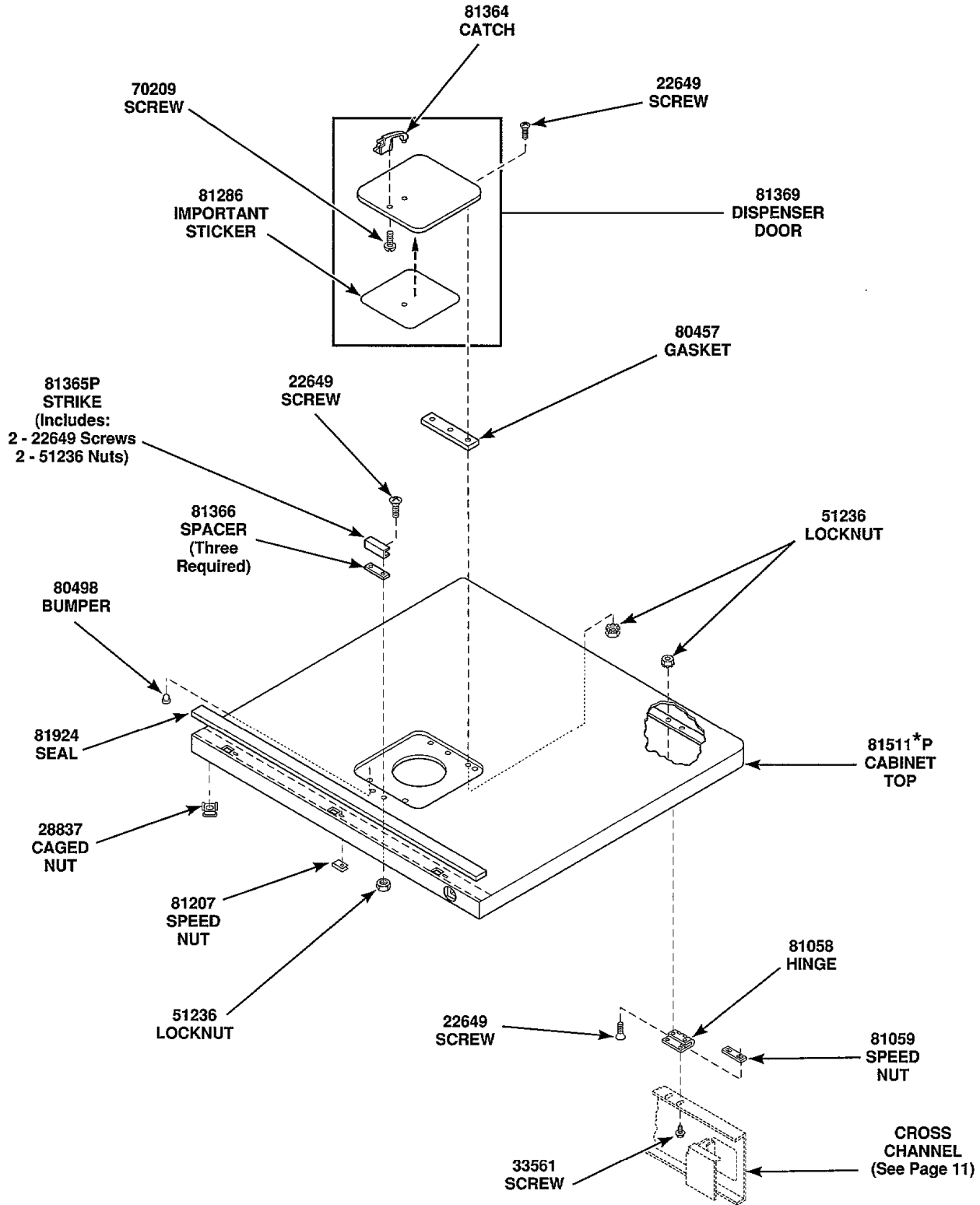
S053PE3A

**81822 ACCUMULATOR COIN DROP
(Models SL9161 and SL9163)**



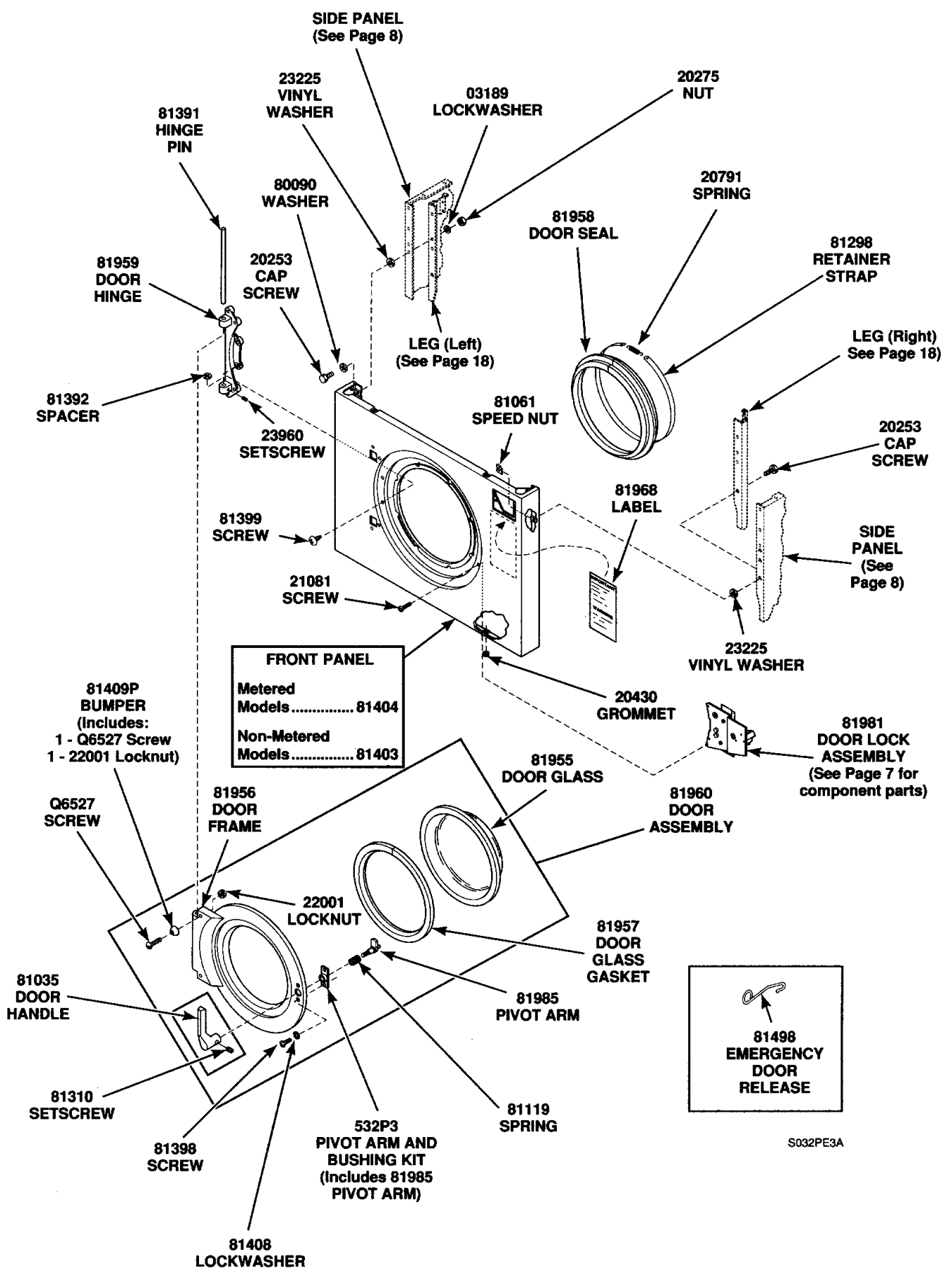
CONTROL PANEL, CONTROLS AND OPERATING INSTRUCTION SIGN

* ADD SUFFIX LETTER TO PART NUMBER TO DESIGNATE COLOR.
 H Harvest Gold L Almond W White

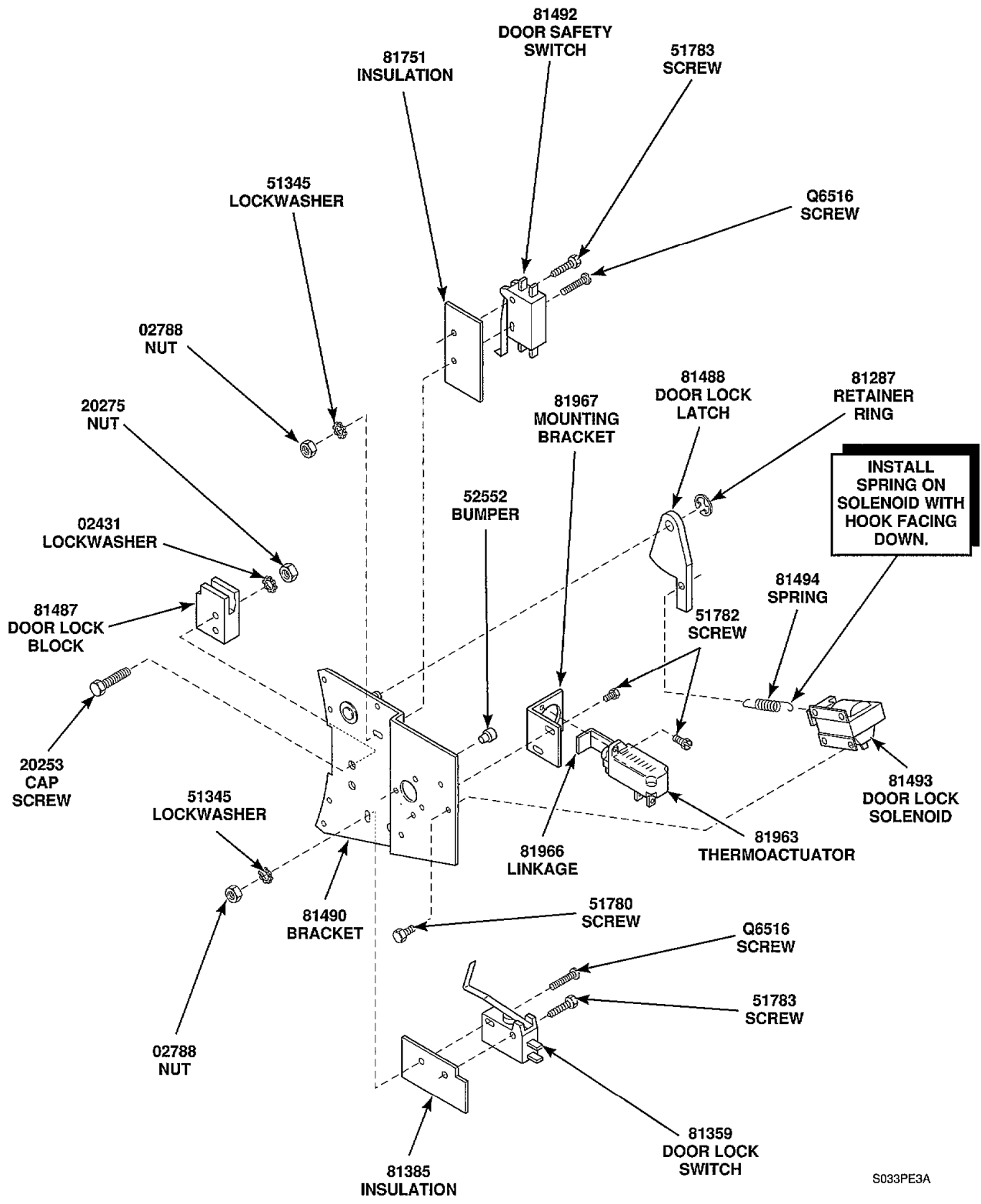


S031PE3A

CABINET TOP AND DISPENSER DOOR



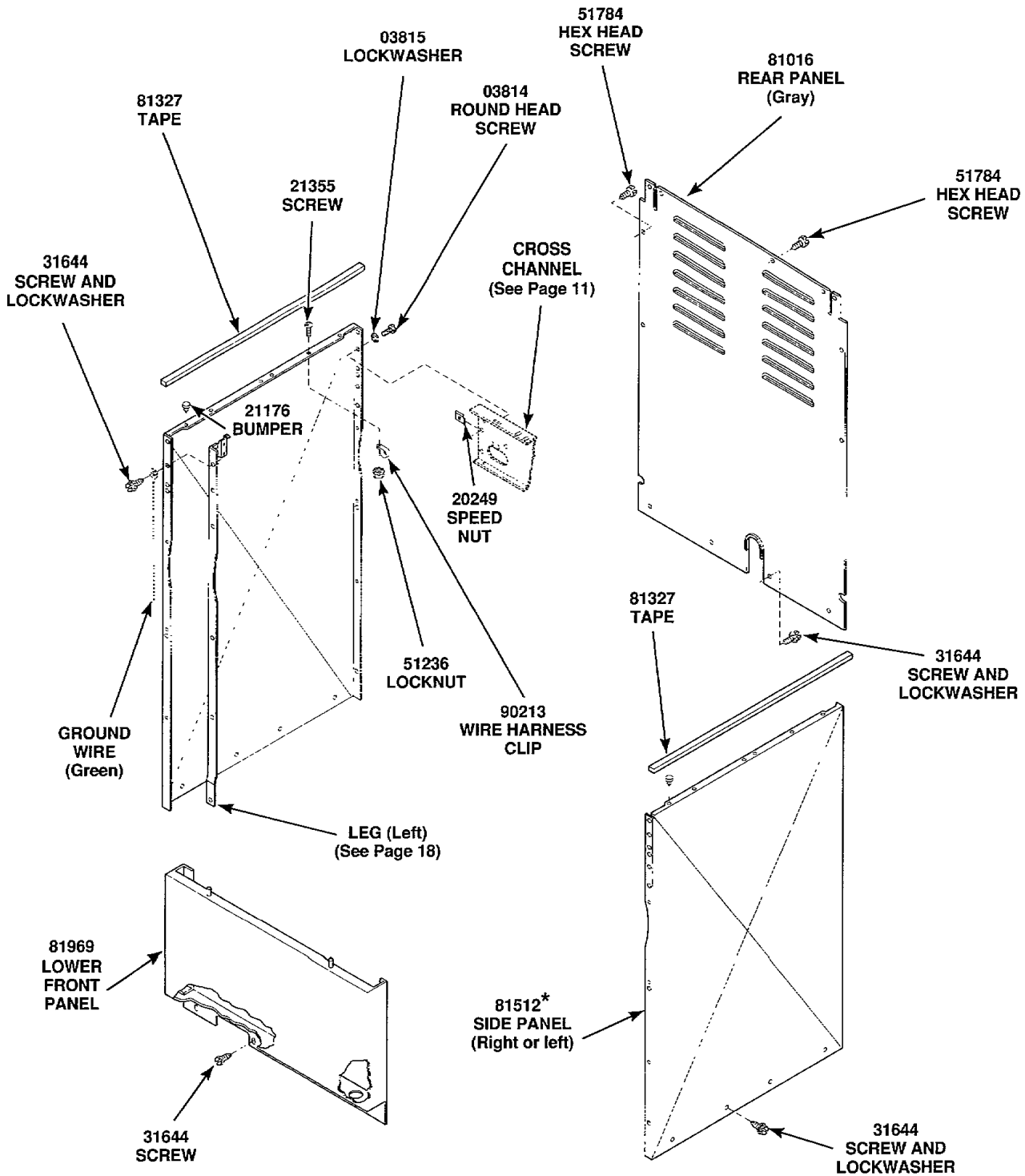
FRONT PANEL, DOOR ASSEMBLY AND DOOR SEAL



DOOR LOCK ASSEMBLY

S033PE3A

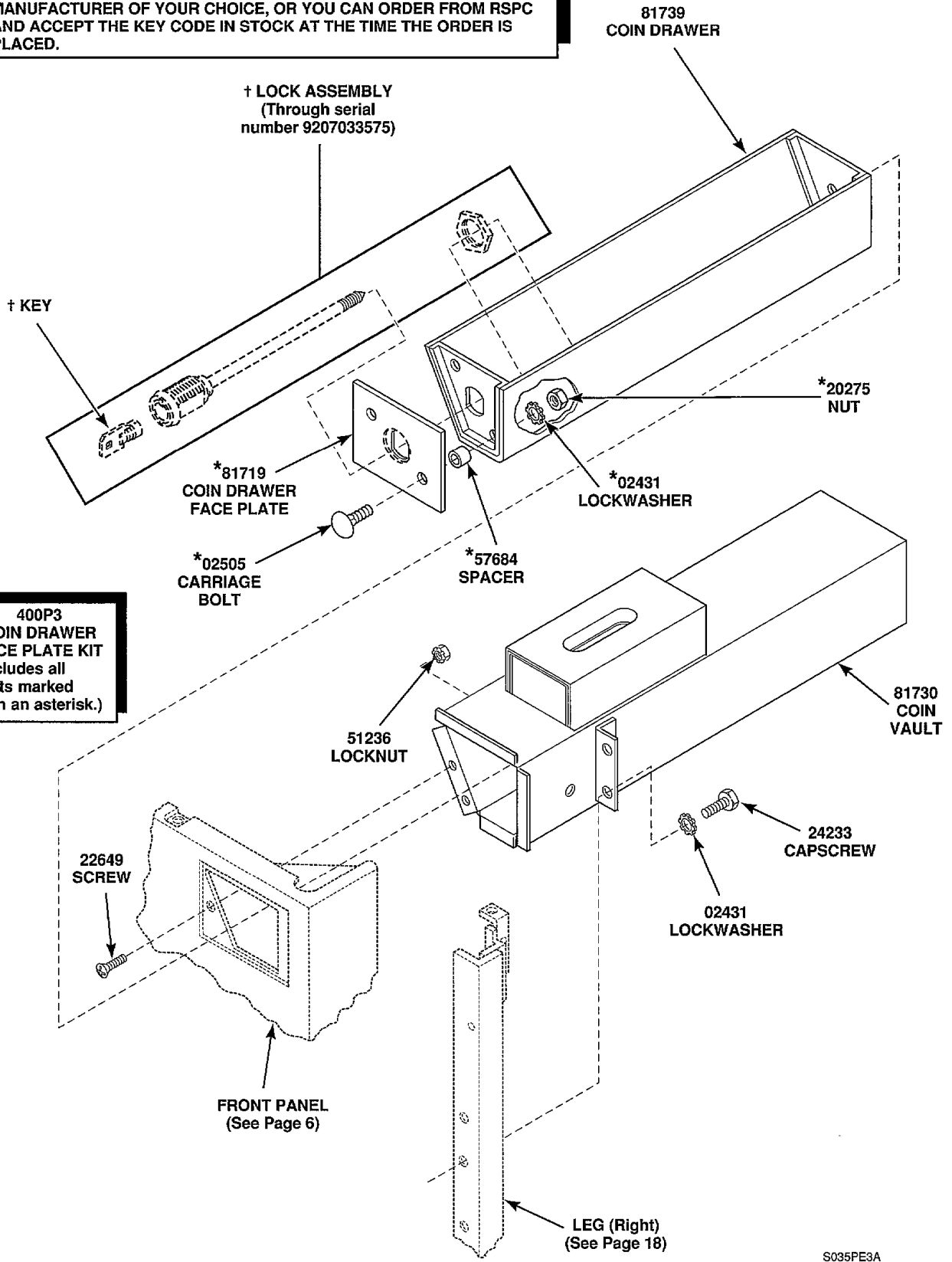
* ADD SUFFIX LETTER TO PART NUMBER TO DESIGNATE COLOR.
 H Harvest Gold L Almond W White



S034PE3A

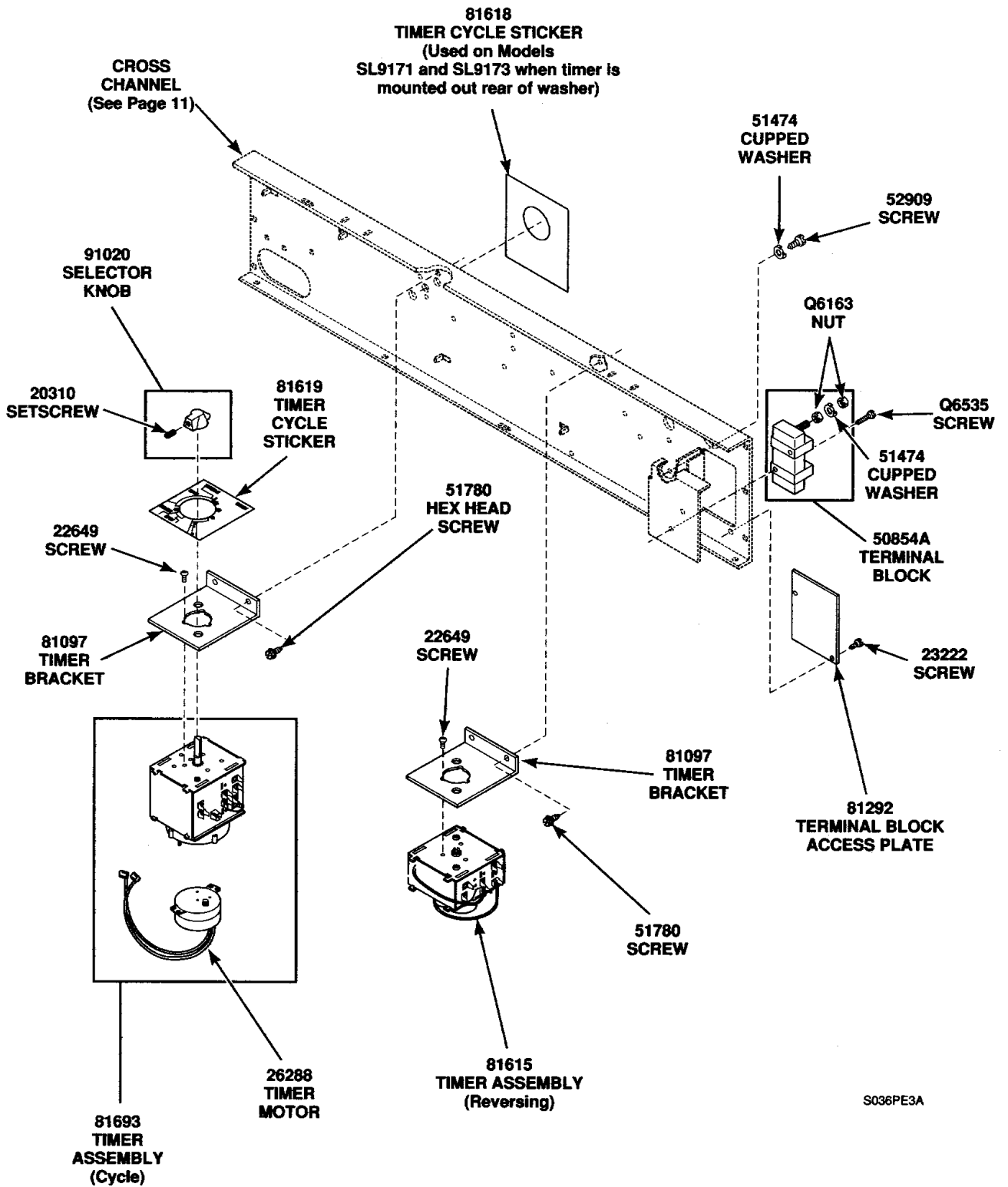
PANELS

† The WASHER-EXTRACTOR, WHEN SHIPPED FROM THE FACTORY, DOES NOT INCLUDE THE COIN DRAWER LOCK OR KEY. THE LOCK OR KEYS MUST BE ORDERED (at extra cost) ACCORDING TO THE PURCHASER'S REQUIREMENTS DIRECT FROM THE COIN KIT MANUFACTURER OF YOUR CHOICE, OR YOU CAN ORDER FROM RSPC AND ACCEPT THE KEY CODE IN STOCK AT THE TIME THE ORDER IS PLACED.

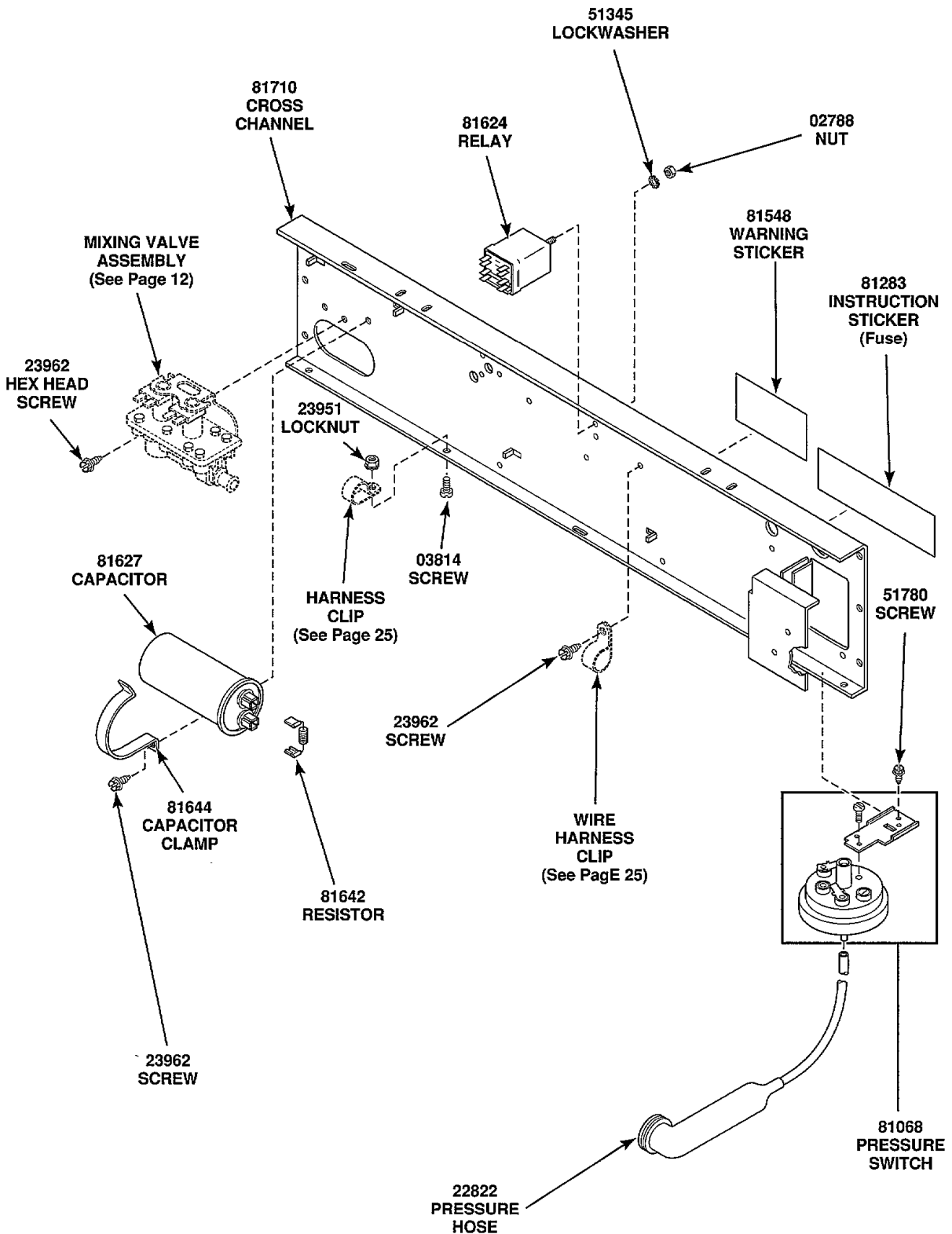


COIN VAULT AND DRAWER

S035PE3A



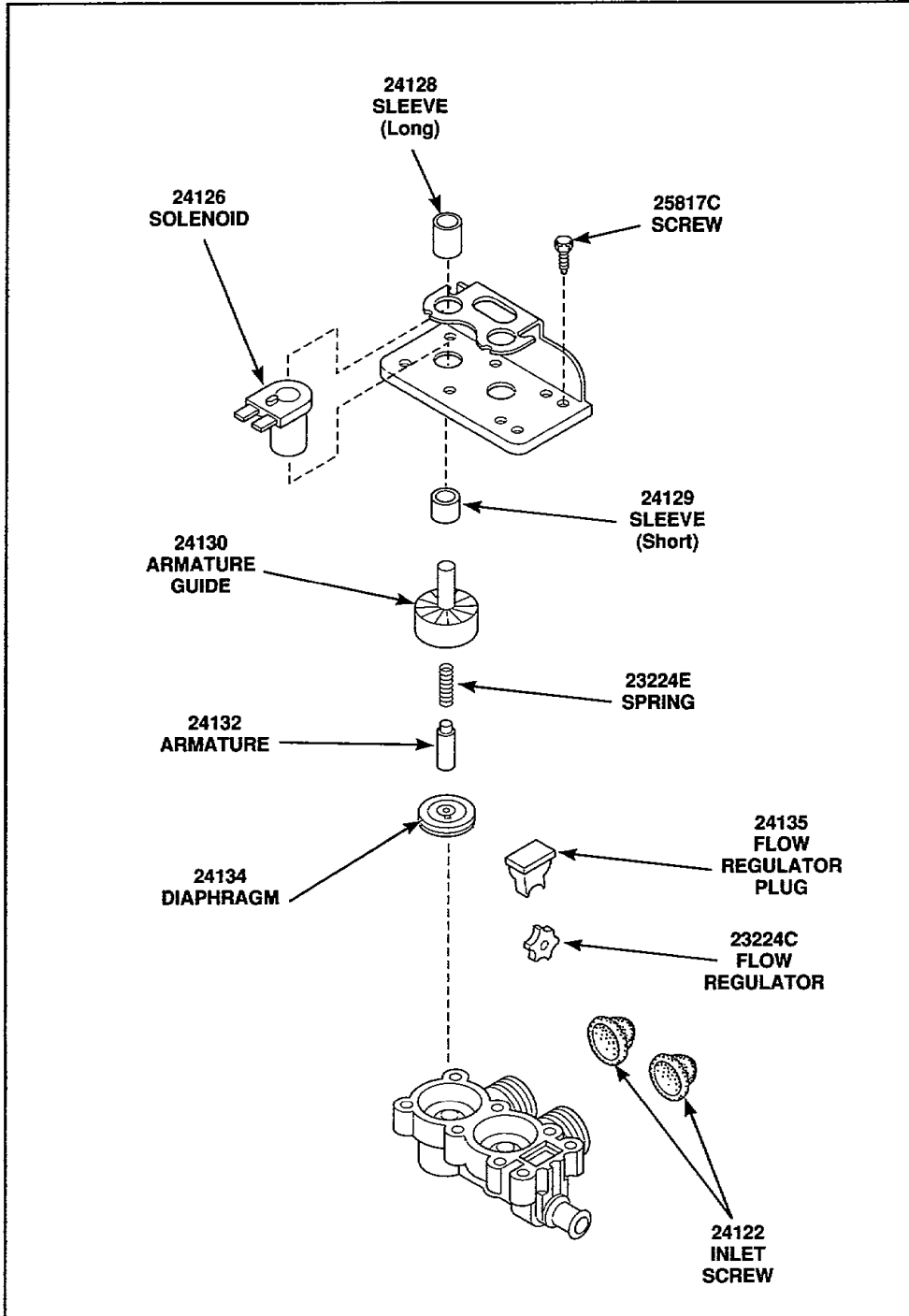
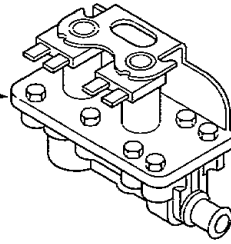
TIMERS AND TERMINAL BLOCK



S037PE3A

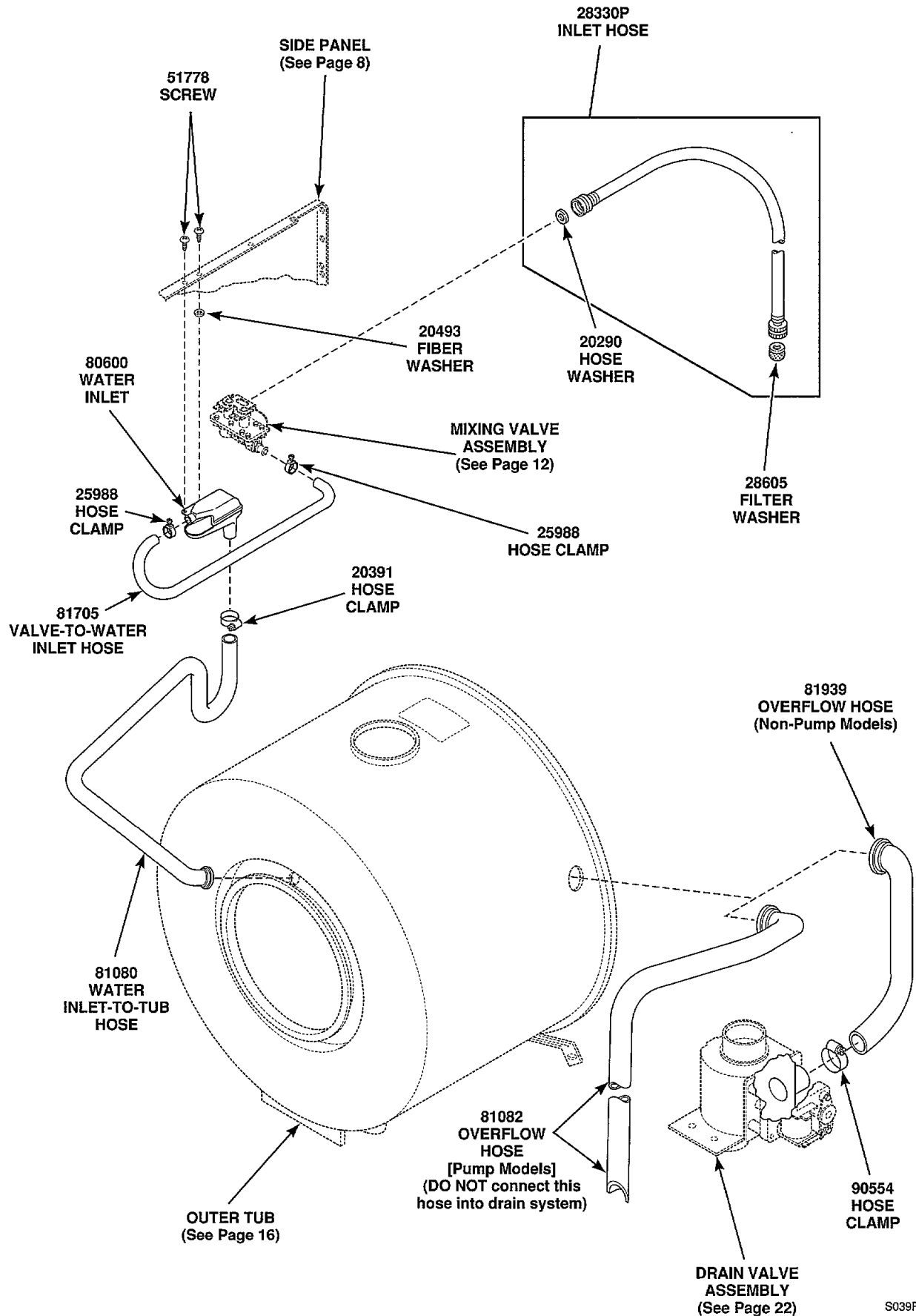
CROSS CHANNEL, CAPACITOR, RELAY AND PRESSURE SWITCH

25832
MIXING
VALVE
ASSEMBLY



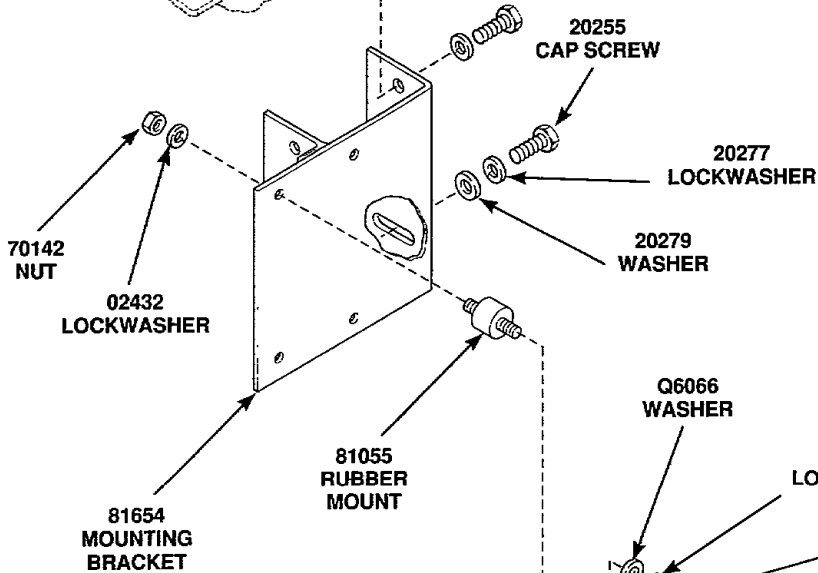
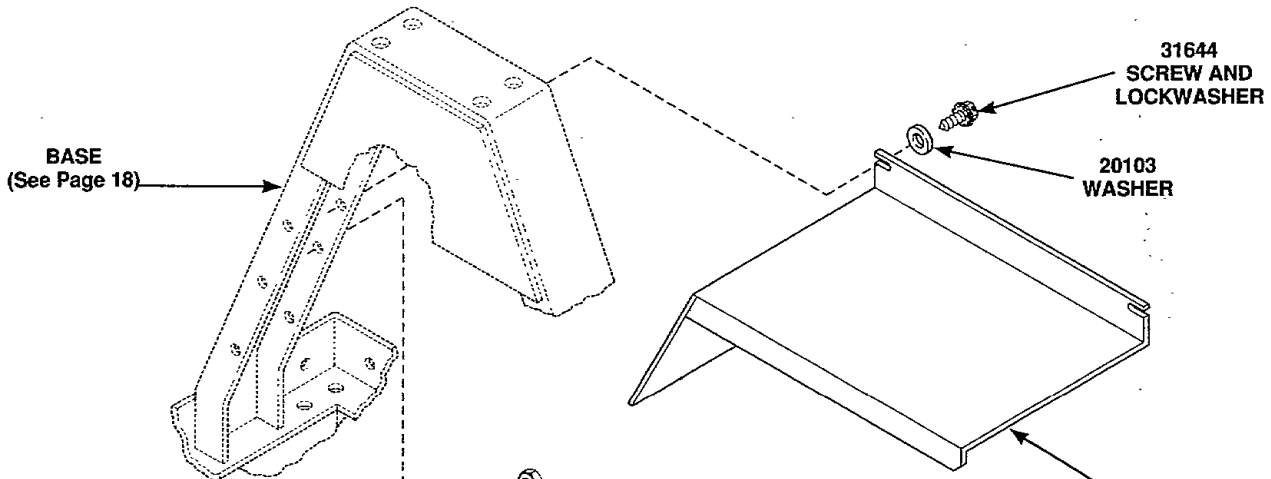
S038PE3A

MIXING VALVE ASSEMBLY



S039PE3A

WATER INLET AND HOSES

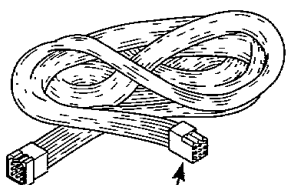


355P3
CLUTCH REPAIR KIT
(All parts in this kit must be
replaced as an assembly
DO NOT replace
only the worn parts)

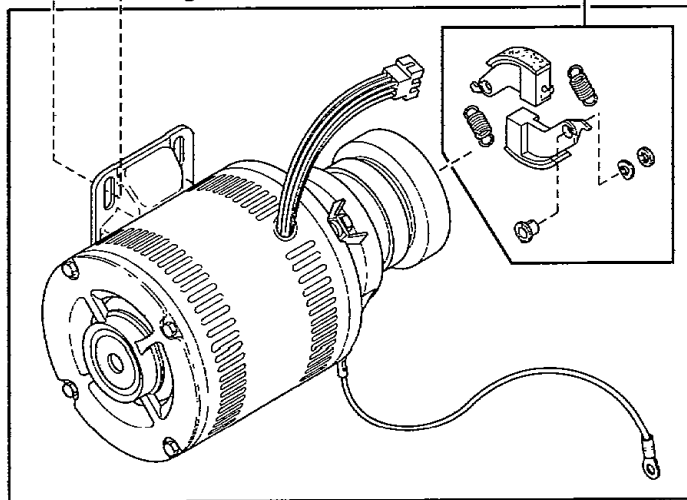
Q6066
WASHER

02432
LOCKWASHER

70142
NUT



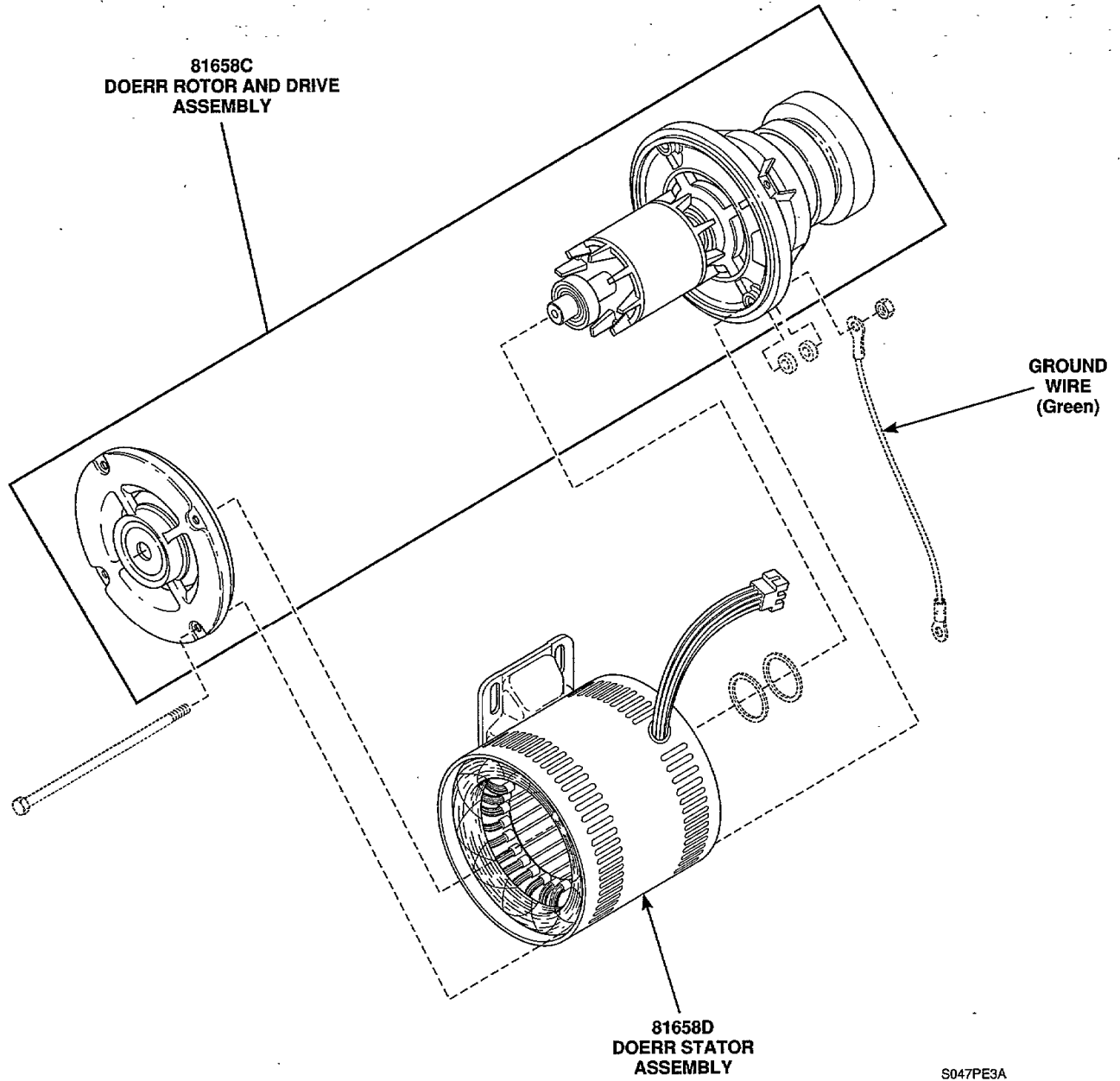
81691
SERVICE HARNESS
(For checking the motor
by using it in conjunction
with an adjacent Superload II
Washer-Extractor)



S046PE3A

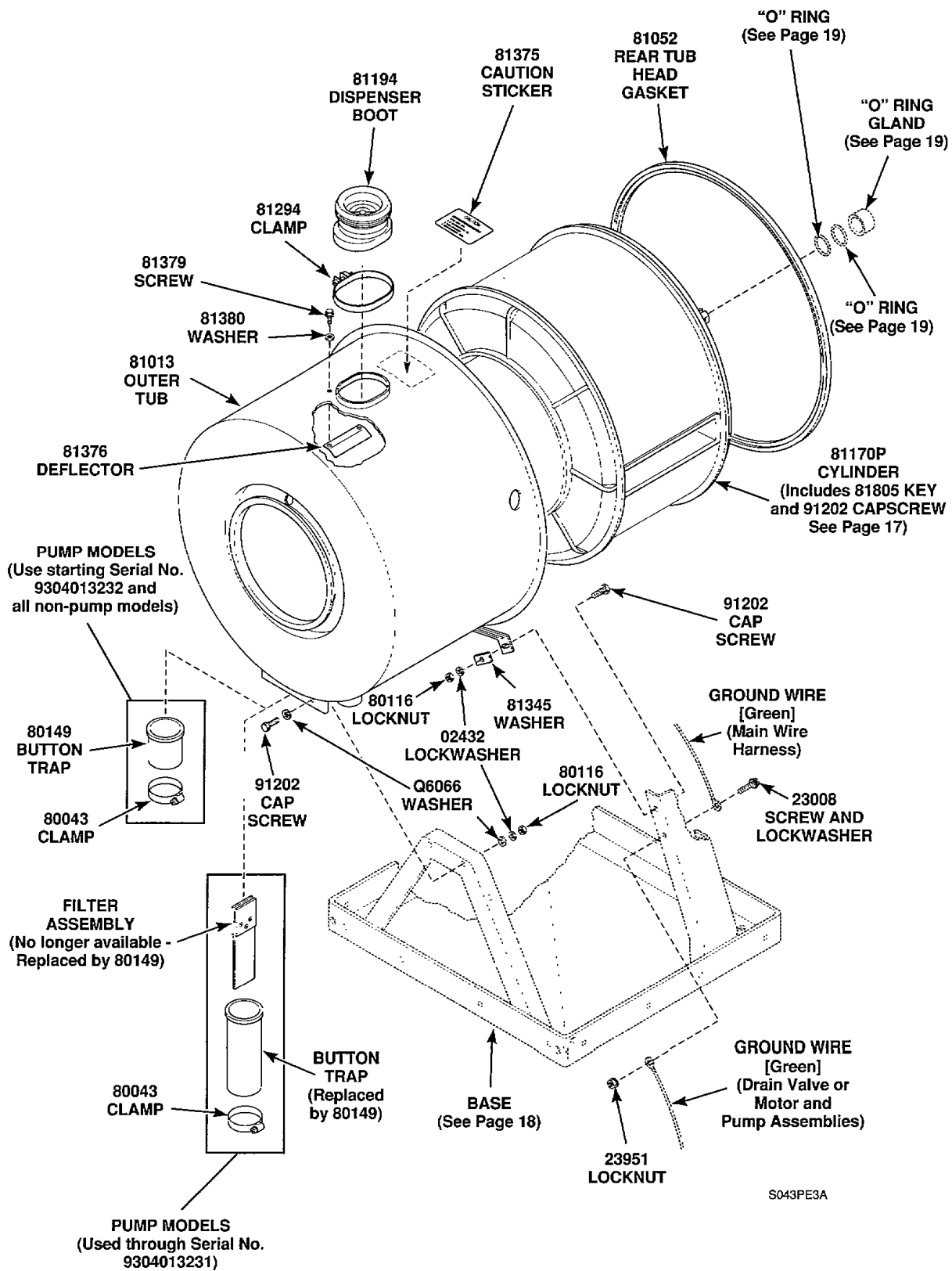
81658
DRIVE MOTOR
(See Page 15 for
component parts)

DRIVE MOTOR AND SHIELD

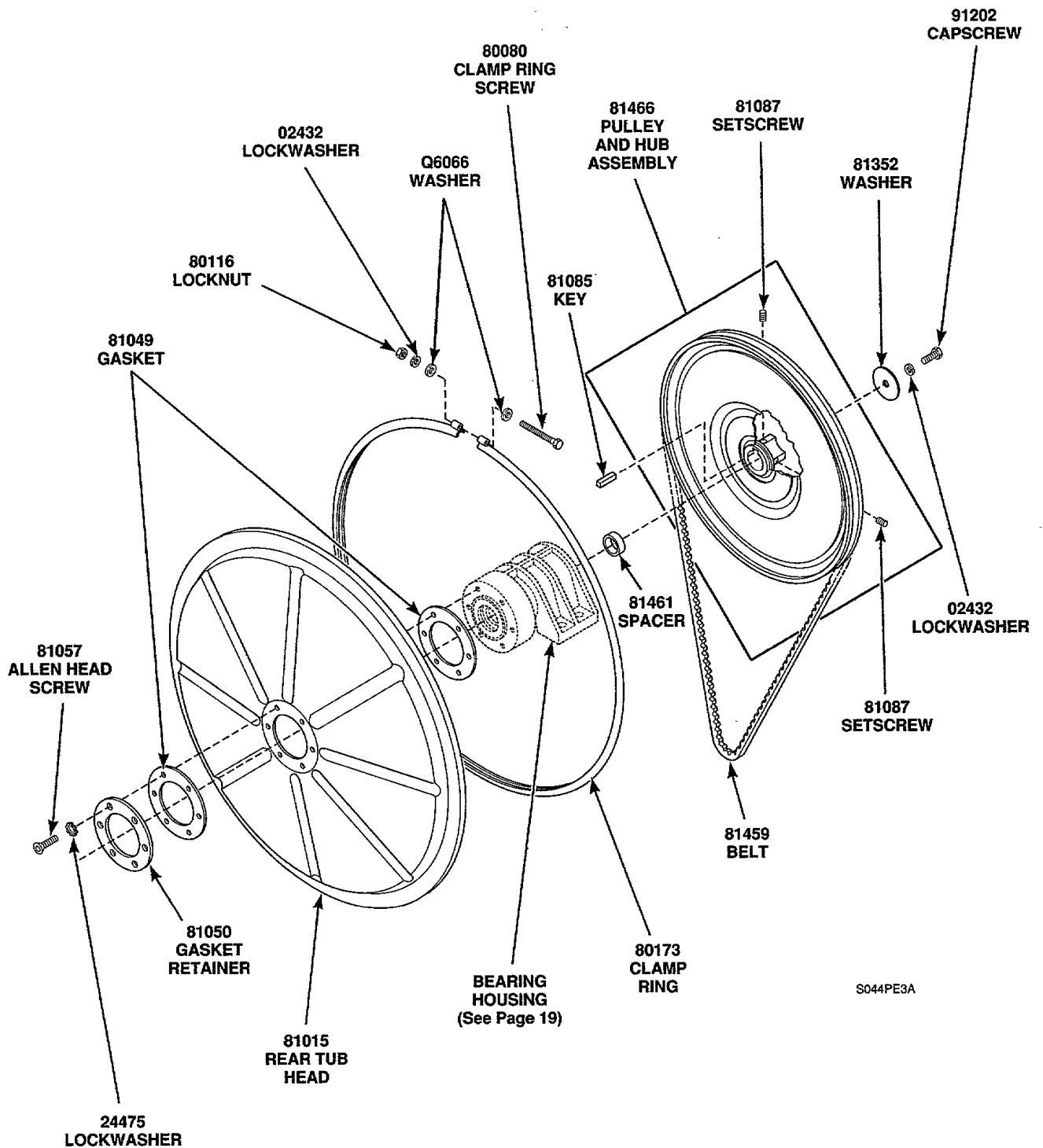


S047PE3A

81658 DRIVE MOTOR

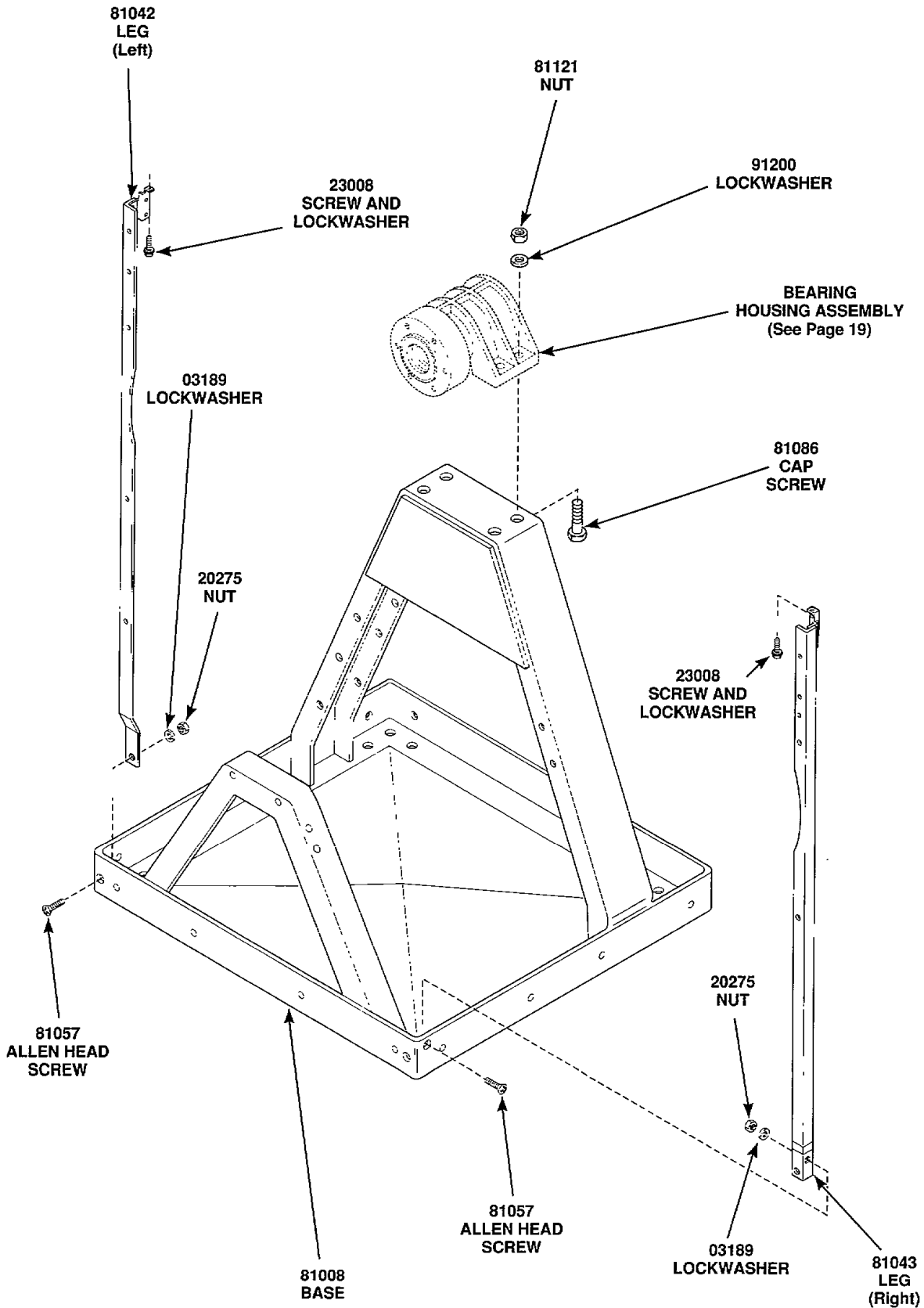


DISPENSER BOOT, OUTER TUB, CYLINDER AND BUTTON TRAP



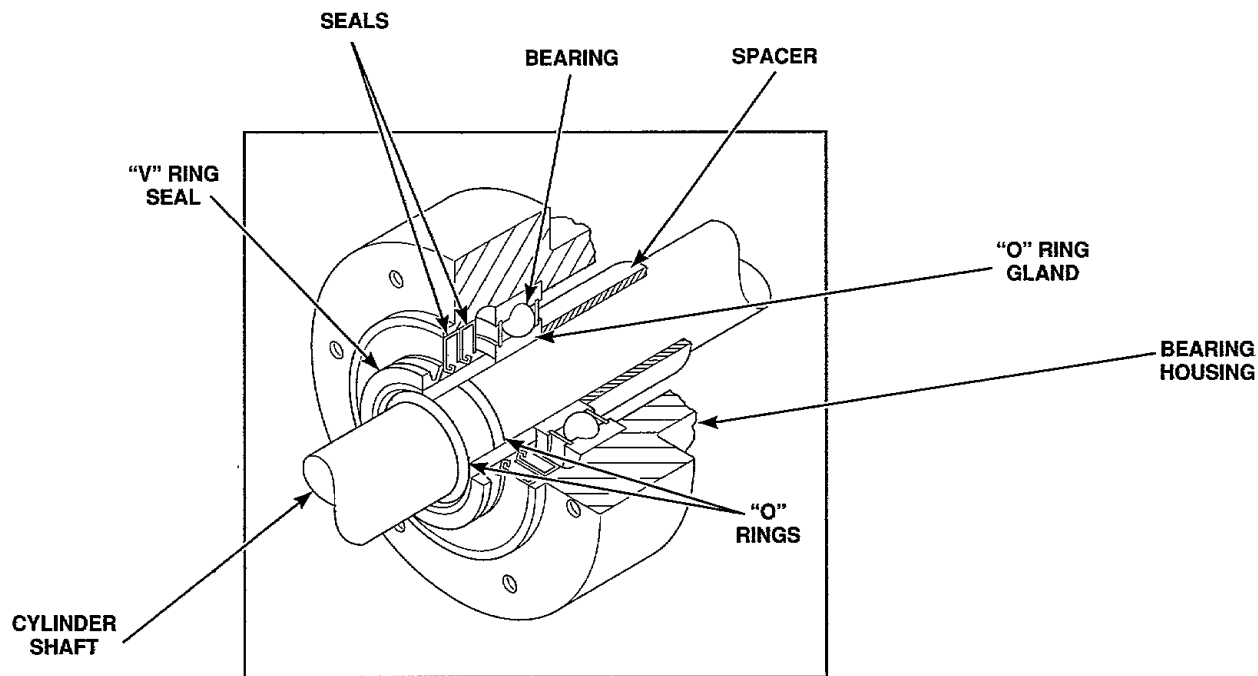
S044PE3A

REAR TUB HEAD, CLAMP RING, CYLINDER PULLEY AND BELT

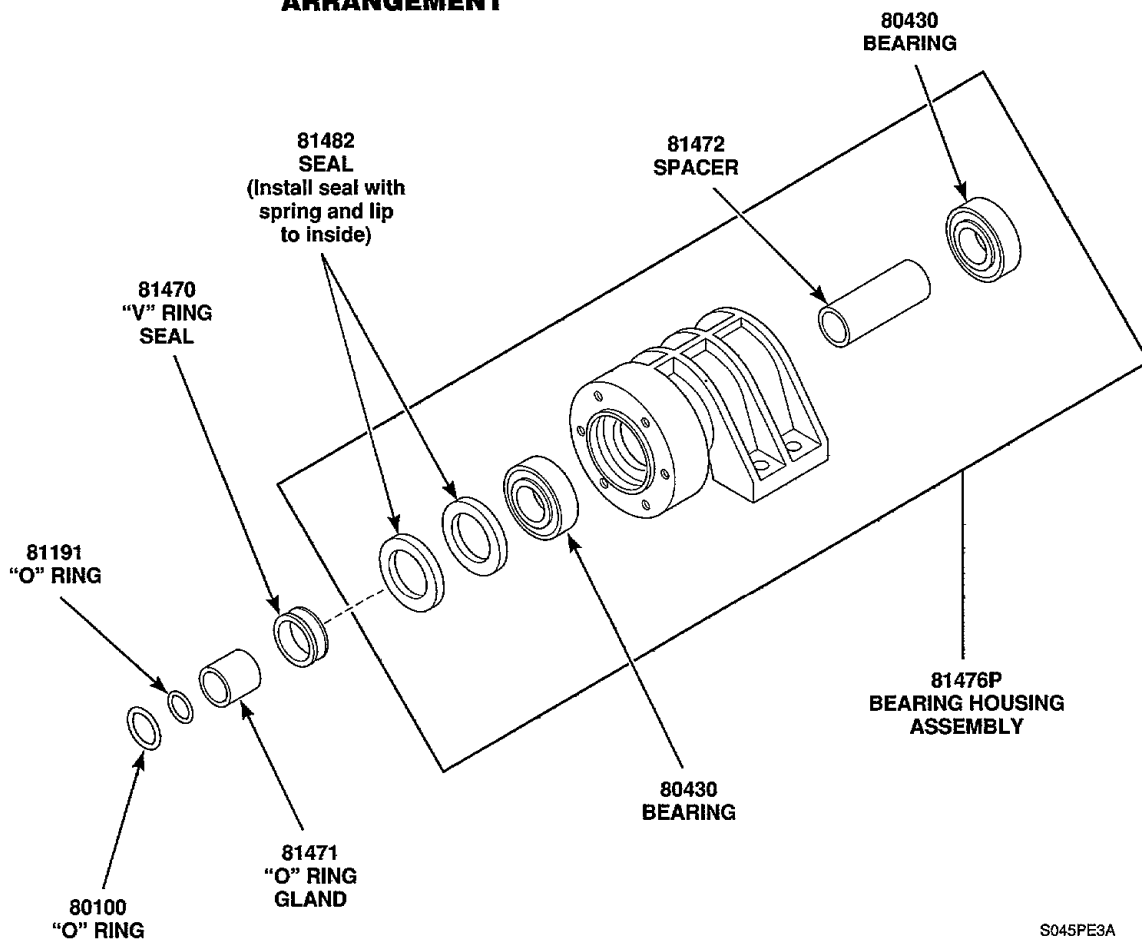


BASE AND FRONT LEGS

S048PE3A

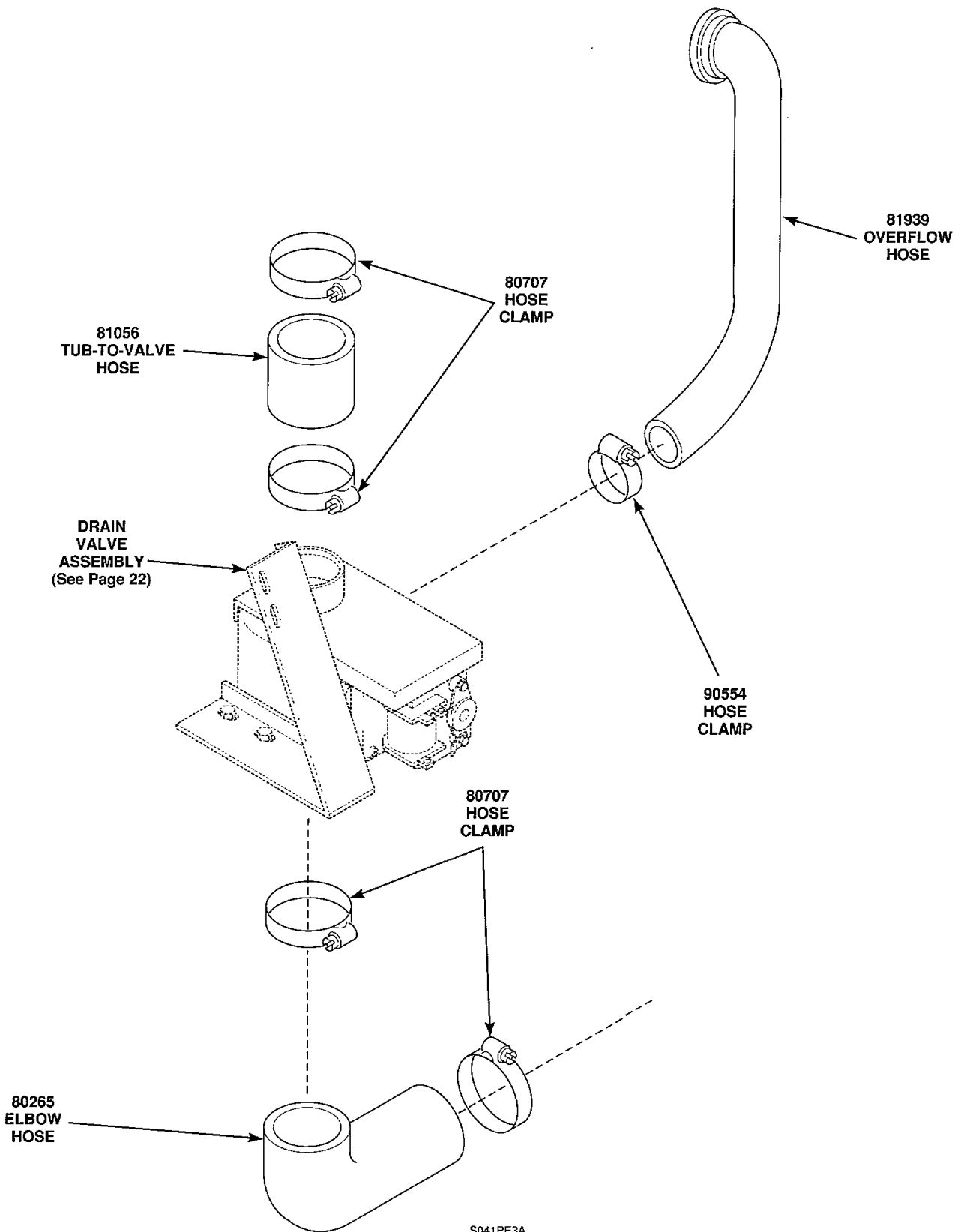


BEARING AND SEAL ARRANGEMENT

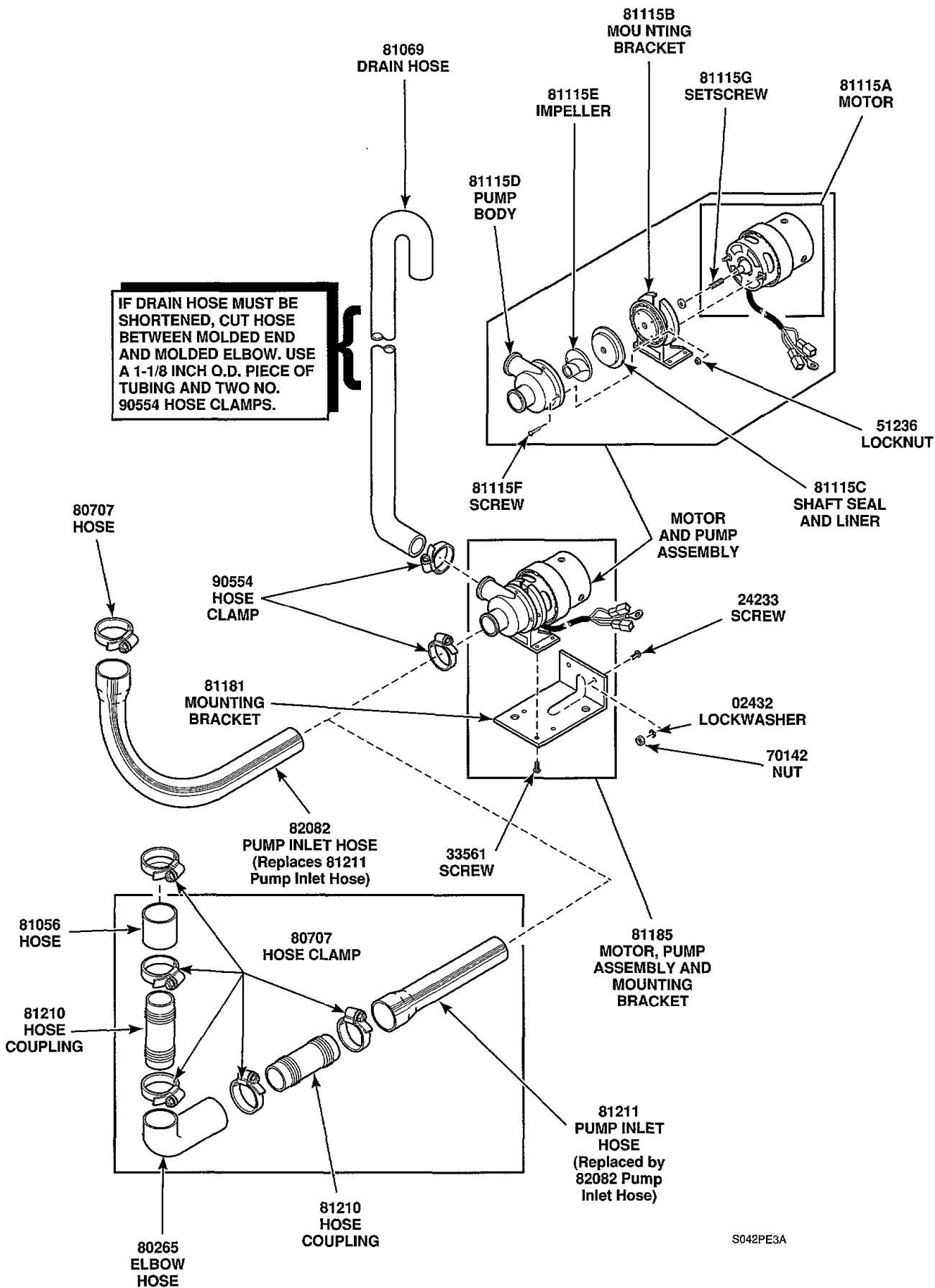


BEARING HOUSING ASSEMBLY

S045PE3A

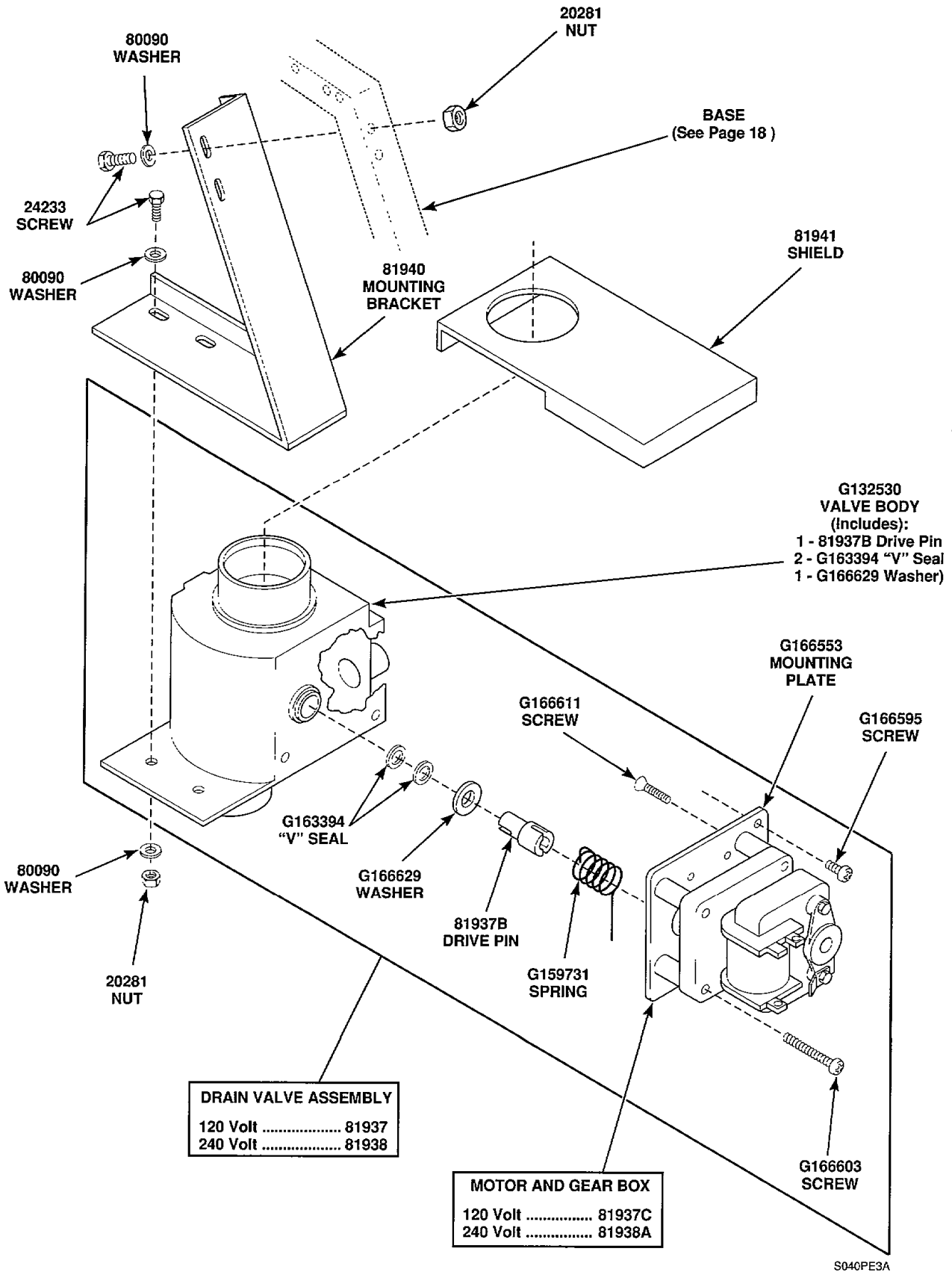


**DRAIN
(Non-Pump Models)**



S042PE3A

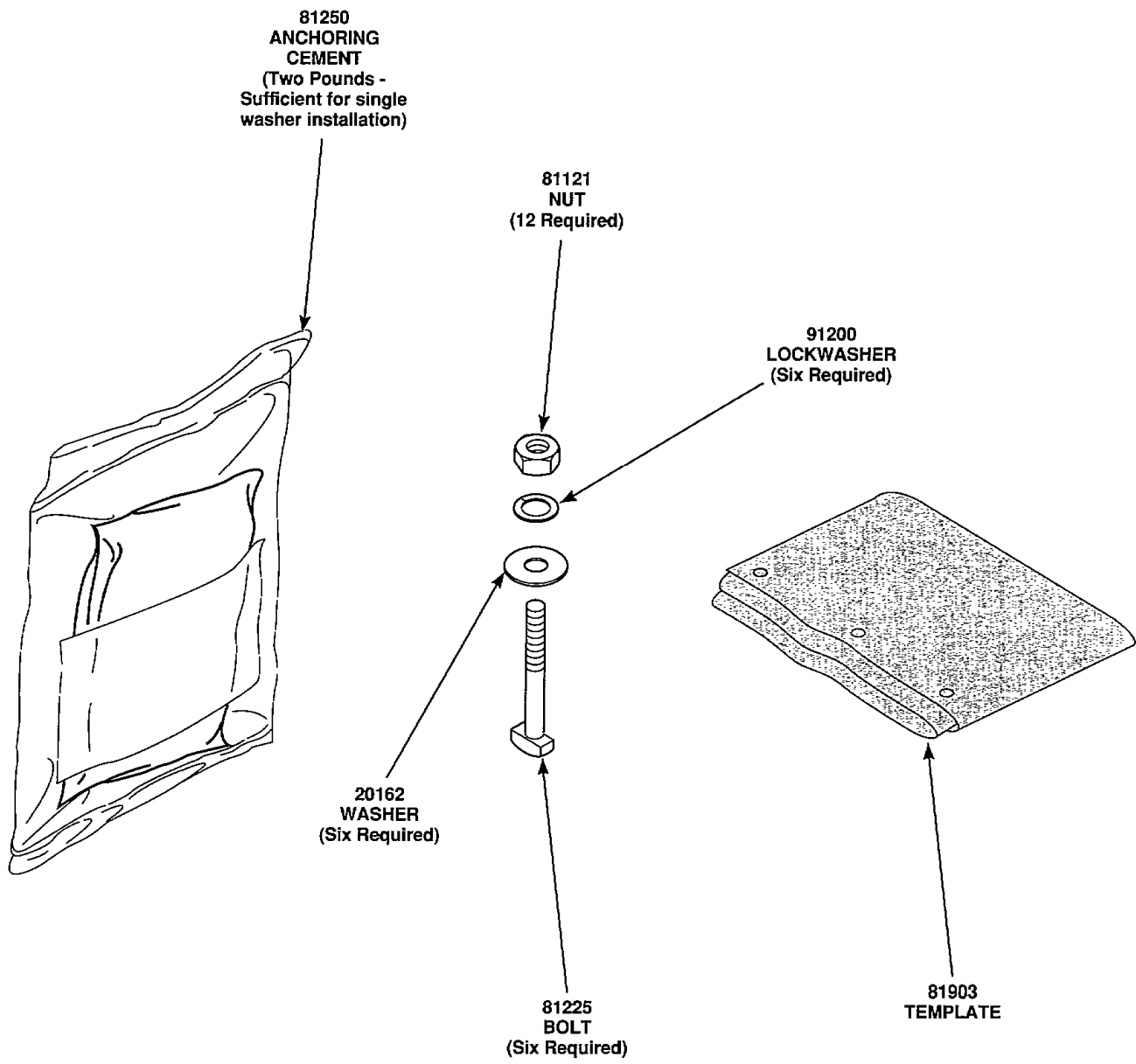
**DRAIN
(Pump Models)**



**DRAIN VALVE ASSEMBLY
(Non-Pump Models)**

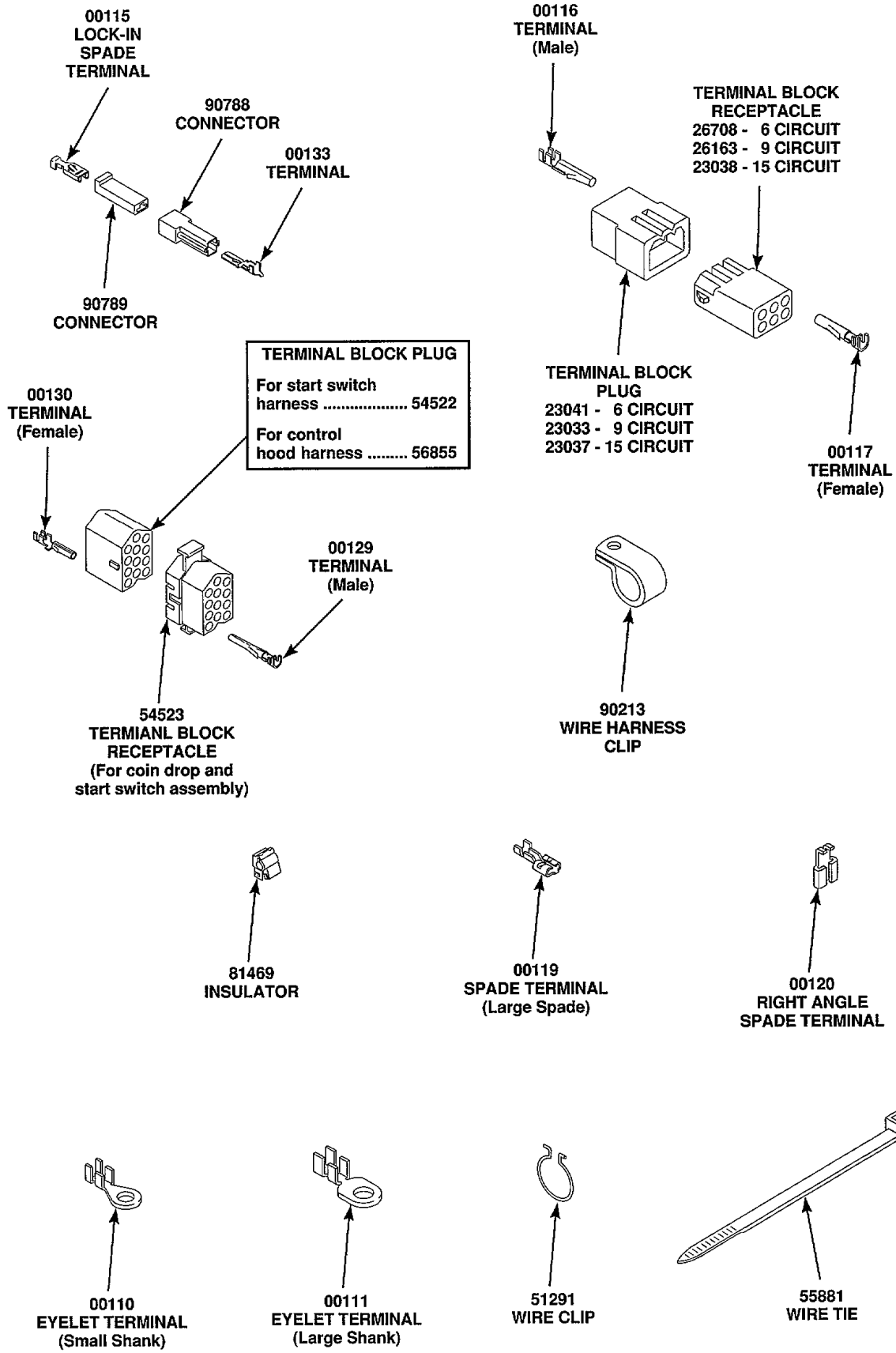
INDIVIDUAL WIRES NOT AVAILABLE SEPARATELY. ORDER COMPLETE WIRE HARNESSES LISTED BELOW.	
Drain Valve Wire Harness — Models SL9151, SL9161 and SL9171	81945
Start Switch Wire Harness — Models SL9171 and SL9173	81584
Door Lock Wire Harness	81971
Control Panel Wire Harness	81767
Main Wire Harness	81711

WIRE HARNESSSES



S049PE3A

294P3 INSTALLATION KIT MATERIAL
(Available as optional equipment at extra cost)



TERMINALS

S050PE3A